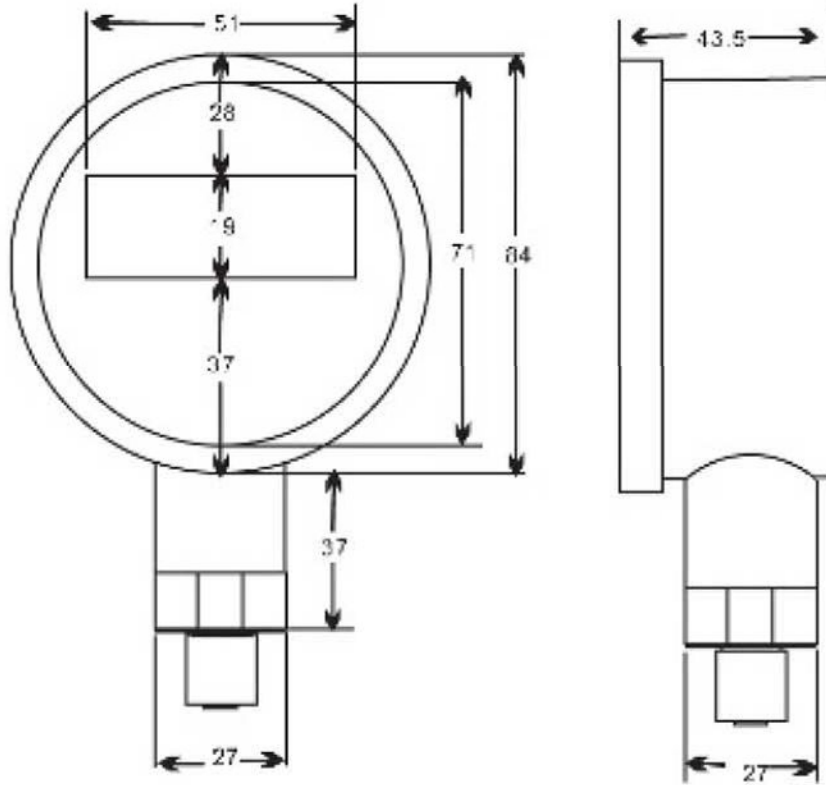




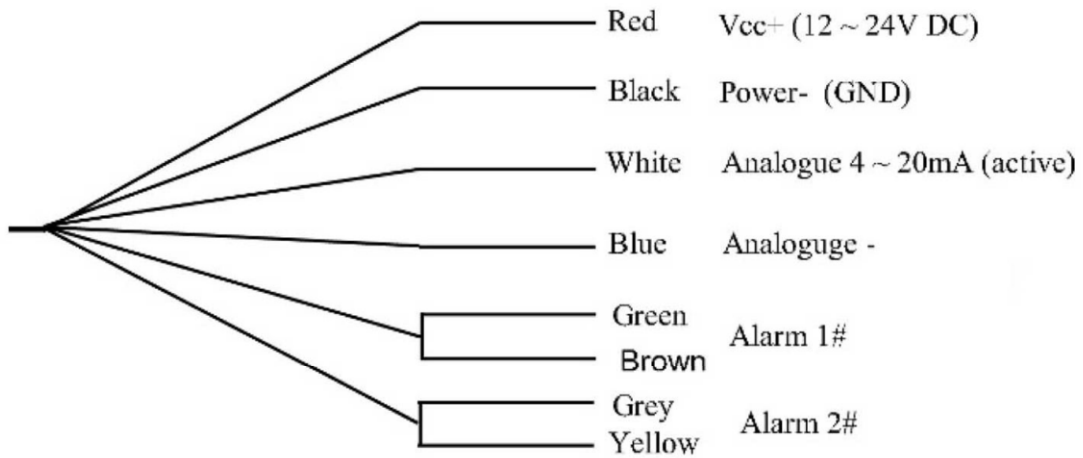
TECHNICAL DATA

Accuracy	: Silicon 0.25% F.S Ceramics: 1%
Power Supply	: 10-33VDC
Pressure Range	: Vacuum to 600Bar
Housing	: Stainless Steel
Operating Temperature	: -20 to 85 Degrees
Storage Temperature	: -20 to 85 Degrees
Temperature Shift	: 0.05% F.S per Degree
Size	: 84mm Diameter
Engineering Unit	: Any unit for option when ordering
Thread Size	: M20X1.5, G1/2, 1/4 NPT & others.
Frontal Panel	: Poly carbonate, OEM available
Max Allowed Load	: RL Less than 600 Ohm
Over Pressure	: 200% of the Pressure Range, Less than 1200Bar
Burst Pressure	: 400% of the Pressure Range, Less than 1200Bar
Output	: 4-20mA, 0-10V
IP Rating	: IP66
Weight	: About 750G

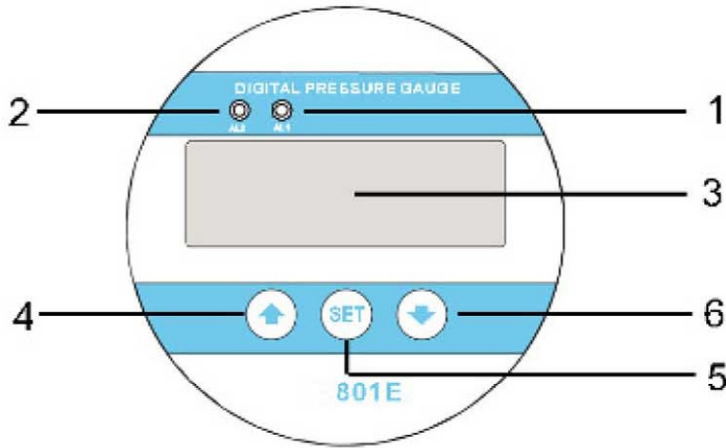
DIMENSION SIZE



WIRE CONNECTION :

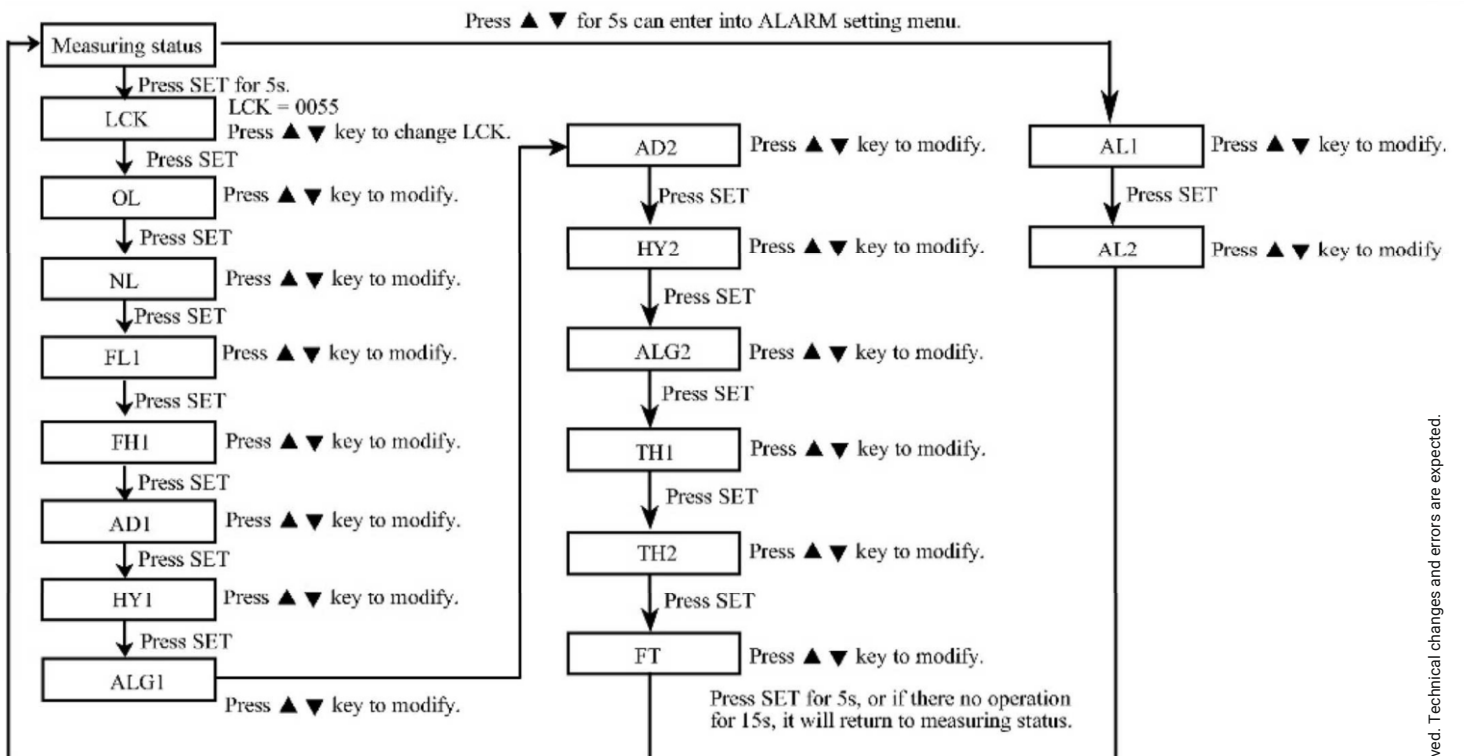


PANEL ILLUSTRATION



1. Alarm 1 Indication Lamp.
2. Alarm 2 Indication Lamp.
3. 4 Digit LED Display.
4. Up Button.
5. SET/ Confirm Button.
6. Down Button.

OPERATION PROCESS



USER MANUAL

SYMBOL	PARAMETER	FUNCTION	DEFAULT SETTING
LCK	Menu lock	When LCK= 0055 can enter into the parameter setting menu.	0000
AL-1	Alarm 1#	Alarm 1# range setting:(-1999) -9999	9999
AL-2	Alarm 2#	Alarm 2# range setting:(-1999) -9999	9999
OL	Zero point Shielded	Shielded the small signal after the decimal point. Example, if you set OL -0.05, then it will display "0" when the signal is 0.05 or smaller than 0.05. Clients can set an appropriate OL value accordingly.	0.000
NL	OL Function setting	NL=NO: means OL DOES NOT WORK; NL=YES means OL works.	NO
FL-1	Lowest value setting	Lowest display value setting	0.000
FH-1	Setting highest value	Highest display value setting	5.000
AD-1	AL-1 mode setting	H: upper limit alarm; L: lower limit alarm, e.g.; when the AL-1 value is 100(bar), if you select H, the alarm works when value is large than 100, if you select L, alarm works when when value lower than 100.	H
HY-1	AL-1 Alarm hysteresis	Users can set an appropriate hysteresis value to prevent the relay moving too frequently.	0.000
ALG-1	Power on alarm select	NO: Power on lower limit alarm, YES: Not alarm when power on	NO
AD-2	AL-2 mode setting	H: Upper limit alarm; L: Lower limit alarm	H
HY-2	AL-2 Alarm hysteresis	Users can set an appropriate hysteresis value to prevent the relay moving too frequently.	0.000
ALG-2	Power on alarm select	NO: Power on lower limit alarm, YES: Not alarm when power on	NO
TH-1	Analogue upper limit	Analogue output upper limit setting:(-1999) -9999	0.000
TH-2	Analogue lower limit	Analogue output lower limit setting:(-1999) -9999	5.000
FT	Sampling rate	Sampling rate (1-10 times/s)	5

ORDERING CODES
1. THREAD SIZE

- 1 Standard M20 X 1.5
- 2 G"1/2
- 3 G"1/4
- 4 1/4" NPT

3
4. ALARM

- N No alarm
- J1 1 Alarm
- J2 2 Alarm

J1
2. OUTPUT

- 100 NO O/P
- 300 4-20mA
- 210 0-10V

300
4. ACCURACY

- A 1% F.S
- B 0.25% F.S

B
3. RANGE

-1 to 600 bar
(Mention the range manually)

**0-10
Bar**
ORDERING EXAMPLE : NIPG801E-3-300-0-10Bar-J1-B

DISCRIPTION : DPG in G"1/4 thread size, with 4-20mA output, measuring range is 0.25% F.S 0-10bar, 1Alarm & Accuracy.

Notes :

1. Panel style type is not available at present. planned for release when it is available.
2. With output function is not available at present. Planned for release when it is available.
3. Pressure range for example 0-100Bar, it covers 0-25Bar, 0-40Bar, 0-60Bar & any range less than 100Bar.