

DIGITAL PRESSURE GAUGE



MAIN FEATURES

- Large 5 digit display (15x6mm). Upper displays pressure value, lower displays pressure unit.
- Accuracy: 0.25% full scale.
- Range : from vacuum to 1000 bar or 0-1000 bar.
- Can display max & min value.
- 12 selectable pressure units.
- Different connection sizes available.
- Easy-to-use keypad & menu operations.

1. KEYPAD OPERATION:

- **ON/OFF** : Manually turn on/turn off both the gauge & the backlight.
- **ZERO** : Zeroes the display pressure quickly.
- **UNIT** : Enable to select different unit quickly.
- **MAXIMIN** : Display & clear the maximum & minimum value.
- **MENU** : Provide access to menu mode.

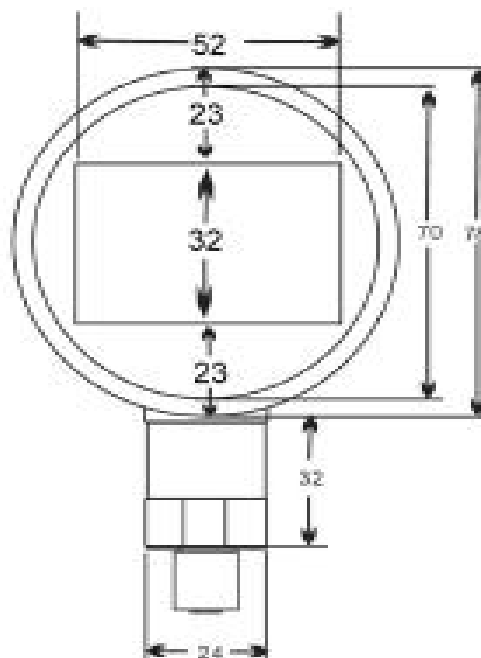
1. MENU OPERATION :

- **LCK** : Password setting
- **UPDATE** : Sampling rate setting option : 100/200/500/1000ms.
- **UNIT** : Enable to select different unit quickly.
- **A-OFF** : Auto-off time setting option: 1m/5m/10m/30m or never.
- **BACK** : Backlight time setting option: 5s/10s/30s or never.

TECHNICAL DATA

Accuracy	: Silicon 0.25% F.S
Power Supply	: 3 x 1.5V Aabattery Life: about 3600h.
Pressure Range	: From vaccum to 1000 bar or 0-1000 bar.
Housing	: ABS
Operating Temperature	: -20 to 85 Degrees
Storage Temperature	: -20 to 85 Degrees
Temperature Shift	: 0.05% F.S per Degree
Size	: 78mm Diameter
Engineering Unit	: Pa, KP a, MP a, PSI, Bar, MH ₂ O, MMH ₂ O, INHG, CMHG, MMHG & KGCM.
Thread Size	: M20X1.5, G1/2, 1/4 NPT & others.
Frontal Panel	: Poly carbonate, OEM available
Max Allowed Load	: RL Less than 600 Ohm
Over Pressure	: 200% of the Pressure Range, Less than 1200Bar
Burst Pressure	: 400% of the Pressure Range, Less than 1200Bar
Output	: 4-20mA, 0-10V, 0-5V, Rs485, alarms
IP Rating	: IP66
Weight	: About 300G

Dimensional Drawing :



ORDERING CODES

1. STYLE

- N Normal Style
- P Panel Style

N

4. RANGE

-1 to 700 bar
(Mention the range manually)

0-10 bar

2. CONNECTION SIZE

- 1 Std. M20 X 1.5
- 2 G 1/2"
- 3 G 1/4"
- 4 N 1/4"
- 5 Other

1

ORDERING EXAMPLE : NIPG802C-N-1-0-10 bar

DISCRIPTION : Normal Style, M20 X 1.5(M) Connection Size, 0-10 bar

Notes :

- 1. Panel style type is not available at present. planned for release when it is available.
- 3. Pressure range for example 0-100Bar, it covers 0-25Bar, 0-40Bar, 0-60Bar & any range less than 100Bar.