

APPLICATIONS

- Liquid & gaseous mediums
- Corrosive environments
- Oil & Gas applications
- Chemical & Petrochemical
- Food & Beverages
- Nuclear power plants

FEATURES

- All stainless steel welded construction
- Follows EN 13190 / ASME B40.200
- Accuracy as Class 1
- Dry / Fillable / Liquid filled



DESCRIPTION

GENERAL

Design : EN 13190
Accuracy : $\pm 1.0\%$ of full scale
Ambient temperature : $-20\dots+60^{\circ}\text{C}$ [without liquid dampening]
 $-50\dots+60^{\circ}\text{C}$ [with liquid dampening]
Over range limits : 110% full scale.
Stem pressure rating : 25 bar (Without thermowell)
Weld joints : TIG argon arc welding

MATERIAL OF CONSTRUCTION

Sensing element : Inert Gas Filled sensor bulb
Case & Ring material : AISI 304 SS
Stem Material : AISI 316 SS
Process connection material : AISI 316 SS
Dial : Aluminum, black graduation on white background
Pointer : Micro-zero adjustable, aluminum, black powder coated
Gaskets : Neoprene / NBR
Window : Sheet glass

STANDARD VERSION

Dial size : 63 mm / 100mm / 150 mm / 250 mm
Range : -50 up to 600°C
Mounting pattern : Direct Bottom connection
Stem size : 6.0mm / 8.0mm / 9.5mm / 12mm
Ingress protection : IP 65
Stem length : 150 mm standard up to 3000mm
Process connection type : Adjustable connection
Process connection : ½" NPT (M) / ½" BSP (M)

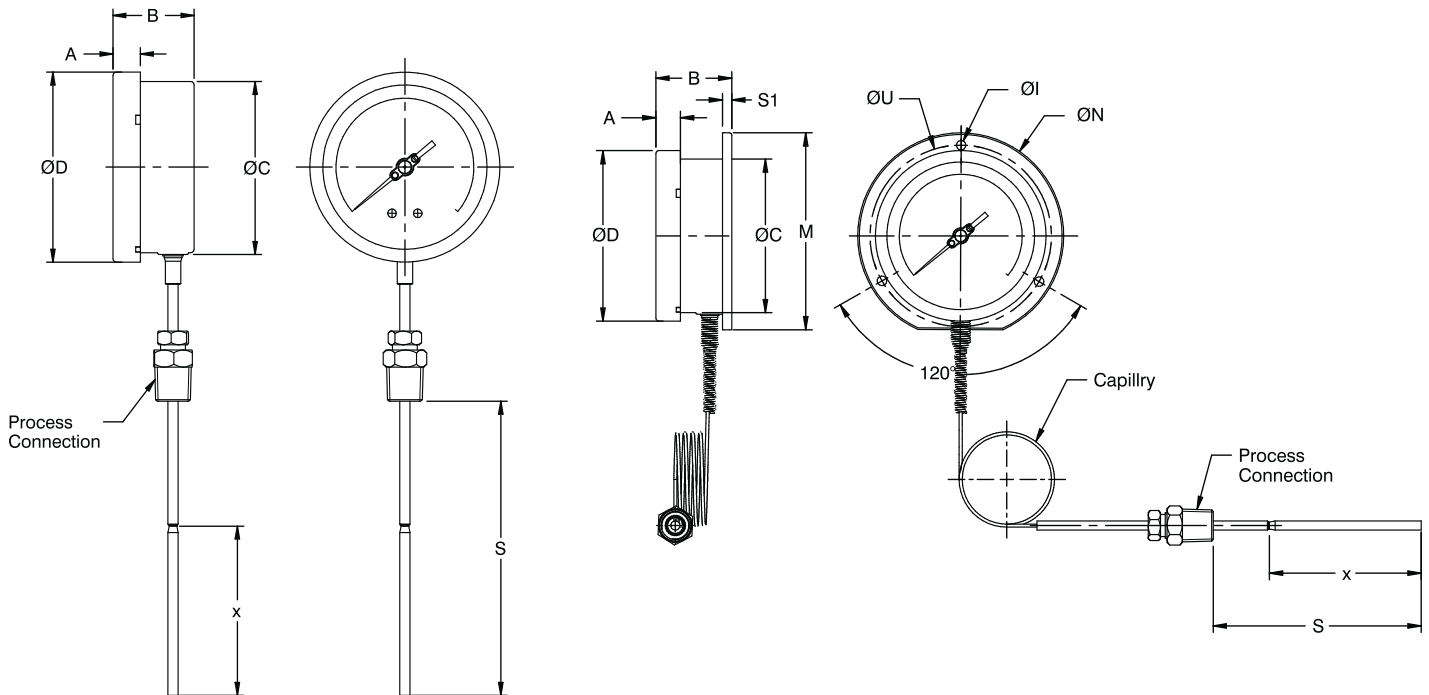
FILLED VERSION

Glycerin
Window : Shatterproof safety glass
Dampening liquid : Glycerin 99.7% / 80% / 60%
 [Max temperature range limit 100°C]
Silicon Oil
Window : Shatterproof safety glass
Gasket, Blow off disc & filling plug : NBR / Viton
Dampening liquid : Silicon oil DC 200
 [Service temperature 200°C]

Temperature effect

When temperature of the measuring system deviates from reference temperature (+20°C):
 max ±0.4% / 10K of full scale value.

DIMENSIONAL DRAWING



NS	A	B	ØC	ØD	ØI	ØN	M	S1	ØU
100	12	48	100	111	6	134	128	6	118
150	15	48	149	161	6	186	172.4	6	168
250	18.5	52	250	263	7	290	286.5	1.5	276

NOTES

1. Drawing not to scale. All dimensions are in mm.
2. For other mounting details, Panel cut-out dimensions, kindly contact factory.

*Only our most popular models and options are listed. For additional available models, please contact Factory.

ORDERING CODES

1. MODEL

NI GTG Gas filled temperature gauge

NI GTG

2. DIAL SIZE

- D2.5** 2.5"/63
- D4** 4"/100
- D6** 6" / 150mm
- D10** 10" / 250mm

D2.5

3. MOUNTING

Direct Type (Rigid stem)

- M1** Direct bottom
- M6** Direct lower back
- M5** Direct center back
- M16** Bottom with Anti-vibration spring
- M12** Every angle center back entry

M1

Remote Type (Capillary extension)

- M2** Direct bottom with Back flange
- M8** Direct lower back with panel mounting clamp
- MF** Direct lower back with front flange

4. CONNECTION

- P4** 1/4" NPT (M)
- P6** 3/8" NPT (M)
- P8** 1/2" NPT (M)
- P3** 1/4" BSP (M)
- P5** 3/8" BSP (M)
- P7** 1/2" BSP (M)

P4

5. CASE FILLING

- F1** Dry
- F2** Dry but fillable
- F3** Glycerin filled
- F4** Silicon oil filled

F1

6. INGRESS PROTECTION

- L1** IP 65
- L6** IP 68

L1

ORDERING EXAMPLE : NI GTG-D2.5-M1-P4-F1-L1