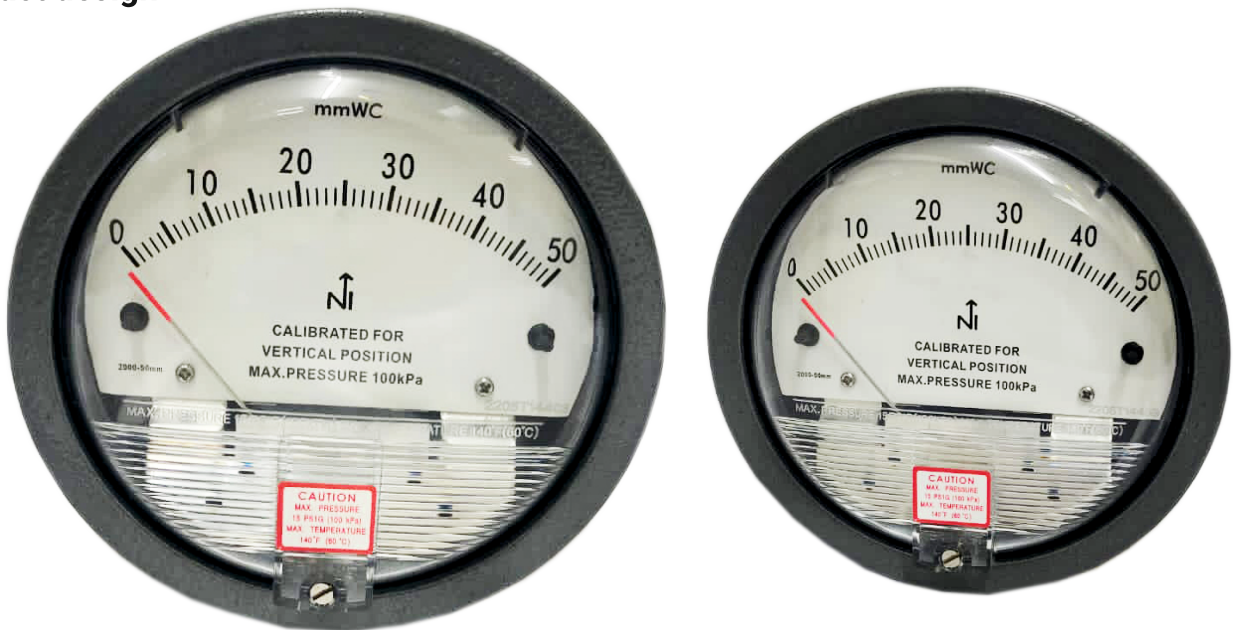


APPLICATIONS

- Clean room applications
- Pharmaceuticals
- OEM

FEATURES

- Diaphragm operated
- Compact design



DESCRIPTION

GENERAL

Accuracy : ±2% [in general]
 Ambient temperature : -40...+65°C
 Service temperature : 60°C max.
 Pressure limits : -20"Hg to 15 psi
 Over-pressure protection : Relief plug opens at ~25 psiG

MATERIAL OF CONSTRUCTION

Sensing element : Diaphragm
 Case : Die-cast aluminum
 Ring / Window : Acrylic, screwed in to the case
 Dial : Aluminum, black graduation on white background
 Pointer : Fixed, aluminum, with red tip
 Diaphragm & blow out plug : Silicon Rubber

TEMPERATURE EFFECT

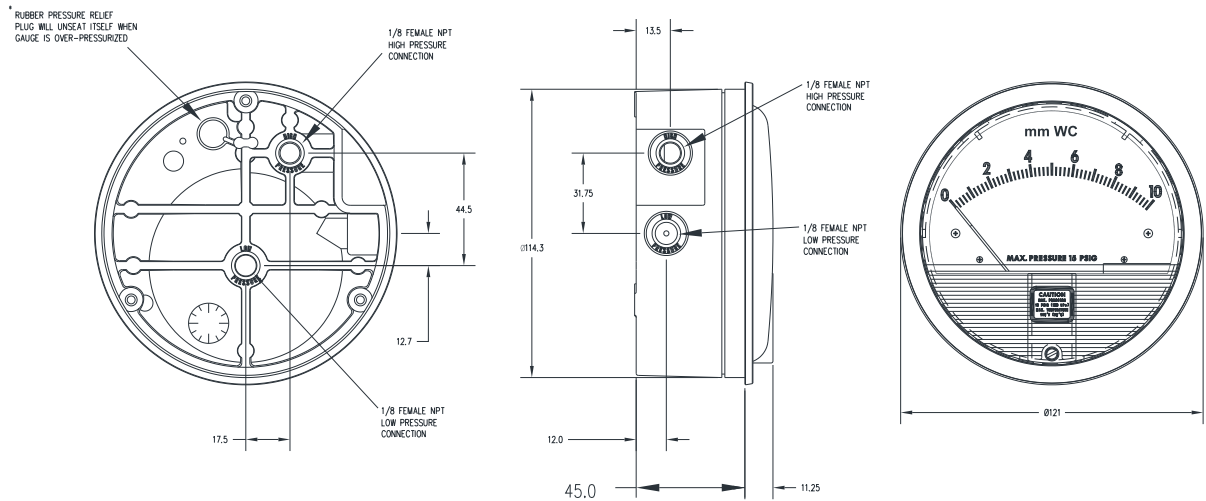
When temperature of the measuring system deviates from reference temperature (+20°C) :
 max error ±0.4% / 10K of true scale value.

STANDARD VERSION

Dial size : DN115
 Range : 6...300 mmWC or 60...1,000 Pa or 0.25...250"WC
 Mounting pattern : Back connection / Side connection
 Process connection : 1/8" NPT (F) x 2 Nos.
 Ingress protection : IP 54
 Execution : Dry

RANGE TABLE:

CODE	RANGE	CODE	RANGE	CODE	RANGE
	"mmWC"		"Pa"		"in WC"
200	0...6	001	0...60	100	0...20
400	0...10	102	0...100	160	0...25
320	0...25	104	0...250		
560	0...50	202	0...500		
101	0...100	404	-30...0...+30		
252	0...150	606	-50...0...+50		
506	0...200				
	0...250				
	0...500				
	-5...0...+5				

DIMENSIONS


NOTES
1. Drawing not to scale. All dimensions are in mm.

ORDERING CODES
1. SERIES/RANGE
2000

in w.c./mm w.c.
 2000-00 - 0-0.25 in w.c.
 2000-00N - 0.5-0-0.2 in w.c.
 2000-0 - 0-0.5 in w.c.
 2001 - 0-1 in w.c.
 2002 - 0-2 in w.c.
 2003 - 0-3 in w.c.
 2004 - 0-4 in w.c.
 2006 - 0-6 in w.c.
 2010 - 0-10 in w.c.
 2000-6MM - 0-6 mm w.c.
 2000-50MM - 0-50 mm w.c.
 2300-12MM - 6-0-6 mm w.c.

Pa
 2000-60NPA - 10-0-50 Pa
 2000-60PA - 0-60 Pa
 2000-100PA - 0-100 Pa
 2000-125PA - 0-125 Pa
 2000-250PA - 0-250 Pa
 2000-300PA - 0-300 Pa
 2000-500PA - 0-500 Pa
 2300-60PA - 30-0-30 Pa
 2300-100PA - 50-0-50 Pa
 2300-120PA - 60-0-60 Pa

kPa
 2000-1KPA - 0-1 kPa
 2000-1.5KPA - 0-1.5 kPa
 2000-2KPA - 0-2 kPa
 2000-3KPA - 0-3 kPa

2. OPTIONS
AFS

ASF -Adjustable signal flag
 AHU1 -Mounting plate
 AHU2-Mounting plate w/ A481 accessory kit
 BUNA-Buna-N elastomers
 CB-Chrome bezel
 FC-Factory calibration
 HA-High accuracy
 M-Mirrored scale overlay
 SB -304 stainless steel bezel
 SS -Brushed 304 stainless steel bezel

ORDERING EXAMPLE : NI-MPG-2000-AFS

*Only our most popular models and options are listed. For additional available models, please contact Factory.