

PRESSURE TRANSMITTERS

Nishka general purpose pressure transmitter, uses high stable & reliable ceramic diaphragm & special circuit board to produce transmitter. This product is used for measure pressure of gas, liquid etc.



MAIN FEATURES

- Stainless steel contacting with media
- High corrosive resistance
- High long term stability
- Stainless steel MOC
- Short protection & reverse polarity protection
- Excellent price/performance ratio

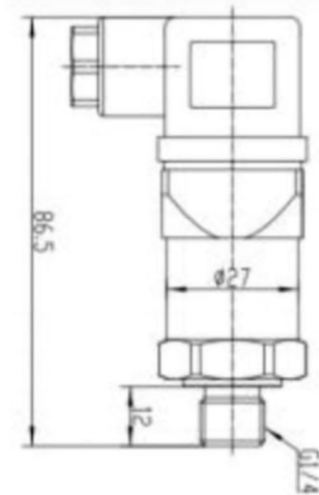
APPLICATION

- Air application
- Factory automation
- Pharma industries

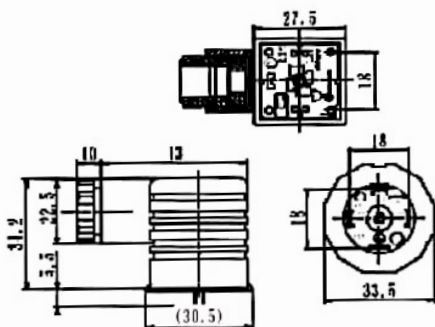
TECHNICAL DATA

- Measurement Range** : 0....5 to 0....400Bar
- Measuring Principle** : Ceramic sensing Diaphragm
- Accuracy** : 0.5% of reading
- Operation temperature** : 80 C Max
- MOC** : Process connection : SS304
Housing : SS304
Diaphragm : Ceramic
- Signal Output** : 4 - 20 mA / 0 - 10 Vdc
- Power supply** : 11....30 Vdc
- Process Connection** : G1/4 male thread / G1/2 male thread
- Electrical Connection** : DIN 43650 / M12 4pin / Inbuilt cable version

Dimensional Drawing :



Electrical Details :



Pin	2-wire	3-wire
1	+V	+V
2	+OUT	GND
3	Null	+OUT

Wire color	2-wire	3-wire
Red	+V	+V
Black	+OUT	+OUT
White	Null	GND

ORDERING CODES

1. TERMINATION

- WD** Display loop powered
- L** Flameproof
- D** Din Connector

D

2. PROCESS CONNECTION

- A** 1/4" BSP
- B** 1/2" BSP

A

2. RANGE

-1 to 1000 bar
(mention range manually)

**0to10
bar**

4. OTHER OPTIONS

- Z** Flush diaphragm
- Y** T.C End
- X** Diaphragm with flange
- W** Thread end
- V** Customized

W

ORDERING EXAMPLE : NI-PT-D-A-0 to 10 bar-W