

TECHNICAL CHARACTERISTICS:

- ✓ 5 digit LCD showing the pressure accurately in real time
- ✓ Different pressure units available, zero clearing, backlight, on/off
- ✓ Battery-powered, low-power design keeping working for 12 months
- ✓ High precision, long-term stability



This gauge is a high-precision and intelligent digital pressure gauge. It has a high-precision sensor and display the pressure accurately in real time, equipped with a large size LCD. It has a various of features, such as zero clearing, backlight, on/off button, units, low voltage alarm. And it is convenient to install and easy to operate. This gauge can be used as peak record to record the maximum and minimum.

The surface and connector of the product is 304SS. It can be used to measure gas, liquid, oil and other non-corrosive mediums of stainless steel. It applies to these fields: portable pressure measurement, equipment supporting, equipment calibrations.

APPLICATION:

- ◇ Machinery and electronic industry
- ◇ Supporting equipment of instruments and meters
- ◇ Pressure laboratory
- ◇ Mechanical engineering automation
- ◇ Replacement of pointer precise pressure gauge

SPECIFICATION:

Range	Micropressure : (6...10...25) kPa Medium Voltage : (0.4...0.6...4) MPa High Pressure : (6...10...25) MPa Ultra High Pressure : (40...60...160) MPa Compound Range : (-5~5...10...-100~1000) kPa Absolute Pressure : (0~100...250...1000) kPa Differential Pressure : (0~10...25...40...60...100...250...400...600) kPa (0~1...1.6) MPa
Overload Capacity	150% ;
Backlight Color	White
Dial Size	100mm
Acc.	0.2%FS 0.4%FS
Long-term Stability	Typical: ± 0.2%FS/year
Operating Temperature	-5~40°C
Compensation Temperature	0 ~ 40°C
Electric Protection	EN 61326
Sampling Frequency	3 Times/sec
Measurement Medium	Gas, water, oil
Connection	M20*1.5 G1/4 G1/2 or 1/4NPT 1/2NPT(customized)
Connection Material	304SS
Shell Material	304SS
Function	On/off, zero clearing, units changing, backlight, calibration
Power Supply	3 AA batteries
IP rating	IP50 (IP54with protection sleeve)



Sales Off. :
102, New Unique Indl. Estate,
2nd Floor, Dr. R. P. Road,
Near Jawahar Talkies,
Mulund (W), Mumbai-400080.



Nishka INSTRUMENTS

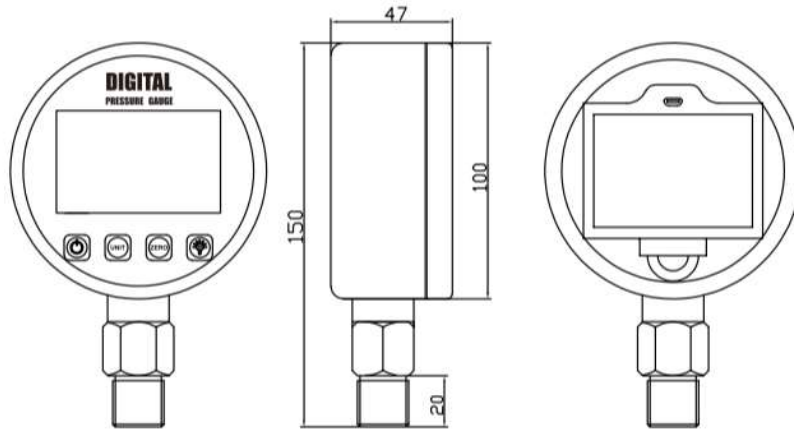
Mob. : 9967549044 / 89283 07018

Manufacturer of : Level Transmitters • Level Indicators • Level Switches
Flow Meters • Digital & Analogue Pressure Gauges • Temperature Gauges
Temperature Sensors • Rotameters & Accessories.

Email : salesnishkainstruments@gmail.com / sales@nishkainstruments.com
Web. : www.nishkainstruments.com

SIZE:

UNIT:mm



ORDEING CODE:

NI S200 0-10BAR (RANGE) ¼" BSP A-0.4%